

ACRO BUILDING SYSTEMS FOR THE 21ST CENTURY AND BEYOND

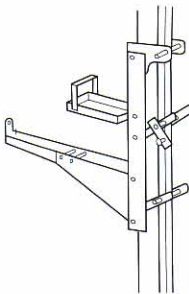
PUMP JACKS & ACCESSORIES



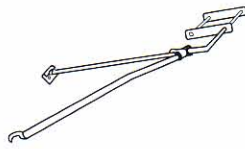
FOR THE BUILDER, PAINTER, HOME-OWNER, AND SIDING APPLICATOR

- FOR USE IN SHINGLING
- INSULATING
- PAINTING
- MODERNIZING
- SIDING
- SHEATHING
- STUCCOING
- REPAIRING
- GUTTER CLEANING

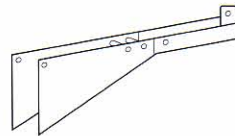
1 PUMP JACK PART Your weight does the work! Men, materials and tools are smoothly raised with positive action foot pedal. Easily lowered by turning a crank. Pump jack operates on your "upright" (post unit) made of two straight 2 x 4's. Uprights can be on uneven ground and in narrow spaces. Make sure, however, that ground is firm. For added safety, place 2 x 8 x 8" plate under post. Plate should be toenailed to upright. System will allow adjustment to a variety of corners, angles and placements up to 30' in height.



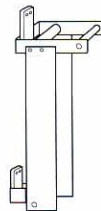
2 BRACE Used as bracing for wood poles. Poles to be constructed in accordance with operating instructions.



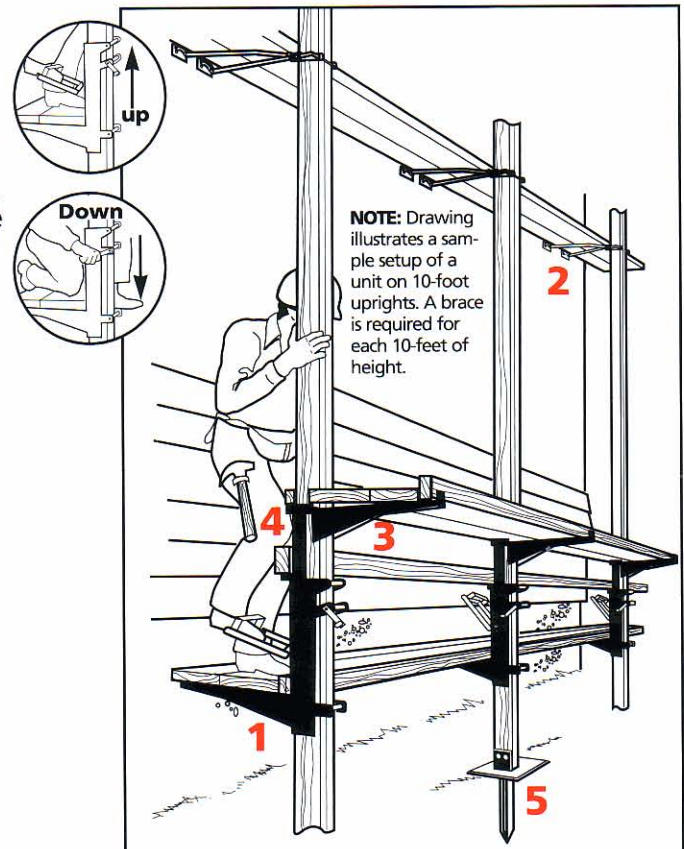
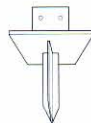
3 WORK BENCH Cut work time with a work bench right on the scaffold.



4 GUARDRAIL Allows you to attach a strong, safe guard rail where work bench is not required.



5 POLE ANCHOR
Attaches to bottom of pump jack pole.



Pump Jacks & Accessories	
Description	Model #
1 Pump Jack Part	10100
2 Brace Part	10110
3 Work Bench Part	10130
4 Guardrail Part	10120
5 Pole Anchor Part	10135

CUT YOUR SCAFFOLDING COSTS IN HALF! EVERY PUMP JACK DOUBLE LOCKED MADE OF STEEL FOR RUGGED & DEPENDABLE SERVICE
CAPACITY: No more than 2 people should be on the platform between any 2 Pump Jacks at one time with a maximum working load of 500 lbs. Use Guard Rails at all times.

NOTE: ALL SCAFFOLDING & ACCESSORIES MUST BE USED IN STRICT COMPLIANCE WITH FEDERAL OSHA REGULATIONS

