

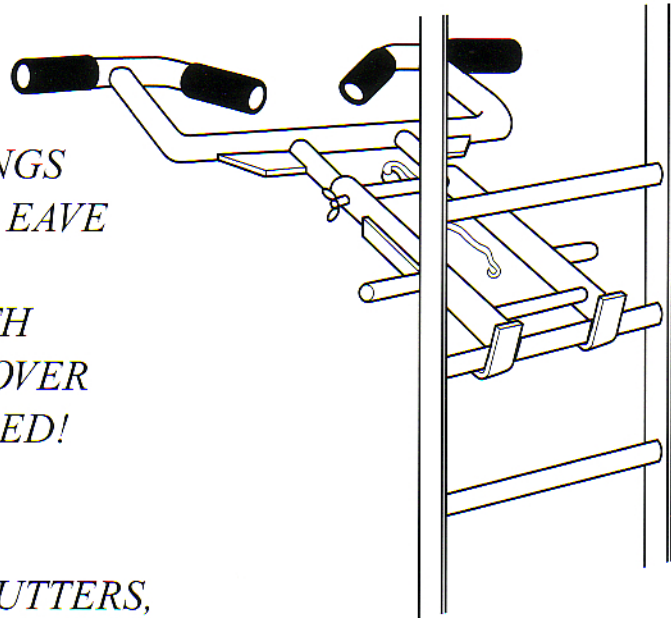
FEATURES & BENEFITS

LADDER STAND-OFF

#11710

FEATURES

- ▶ FITS ON CORNERS OF BUILDINGS
- ▶ ADJUSTABLE FOR DIFFERENT EAVE WIDTHS 22" - 28"
- ▶ ADJUST TO ANY LADDER WIDTH
- ▶ WORKS UNDER EAVES – OR – OVER THE ROOFTOP, WHEN EXTENDED!



BENEFITS

- ▶ KEEPS LADDER AWAY FROM GUTTERS, TILE OR WINDOWS
- ▶ THE ALL STEEL, VINTAGE DESIGN OFFERS FEATURES ADVANTAGE NOT FOUND ON ALUMINUM COMPETITOR MODELS
- ▶ EASY ON / EASY OFF (NO ADDITIONAL HARDWARE)
- ▶ EXTRA STABLE LOCKS IN PLACE WITH BODY WEIGHT ON LADDER

APPLICATIONS

- ▶ RESIDENTIAL CONSTRUCTION
- ▶ COMMERCIAL CONSTRUCTION

WEB SITE: www.acrobuildingsystems.com



ACRO BUILDING SYSTEMS
2200 West Cornell
Milwaukee, Wisconsin 53209

Order Hotline: 1-800-267-3807

- Phone (414) 445-8787
- Fax (414) 445-8792
- E-MAIL acro1@mail.execpc.com
- WEB SITE www.acrobuildingsystems.com