

Why ACRO

- True Innovator & Long History of Working with Contractors
- Online Instructions and Product Videos for User Training
- Fully Covered by Product Liability Insurance
- Supported by Outside Sales and Manufacturer Call Center
- Tested in a Lab & Supporting Documentation
- Made in America and Competitively Priced
- Powder Coated Safety Yellow

<http://www.acrobuidingsystems.com/aboutus.asp>



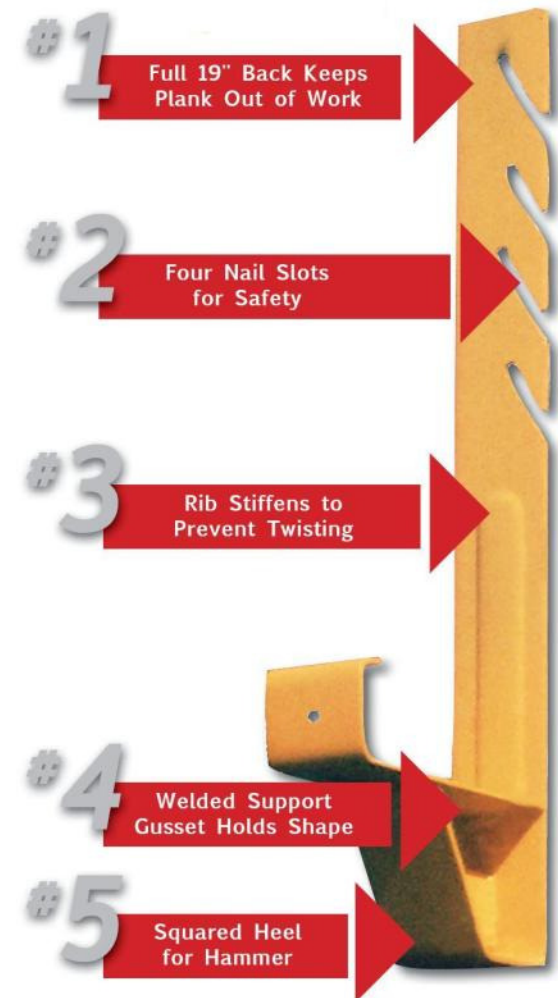
Fixed Roof Brackets

- Acro Invented the 19" Roof Bracket and named it the Contractor Bracket.
- All welded steel with features to make it last.
- The best selling bracket often copied by competitors but never duplicated.
- Those who have copied, have missed key features including the fluted back which prevents twisting.
- Know the difference between 19" and standard 16"

Purpose: Roof Brackets provide contractors a secure walking surface on steep pitch roofs. Note: Brackets are available in both HOMEOWNER 16" and CONTRACTOR 19" in a wide range of sizes and angles.

Function: Roof Brackets are temporarily nailed on roofs at 4 to 6 foot intervals. And hold planks which are used as walkways. (Plank sizes from 2x4 up to 2x12)

Applications: Roof Brackets are commonly used to support walk planks on steep pitch roof that are surfaced with composite or asphalt shingles



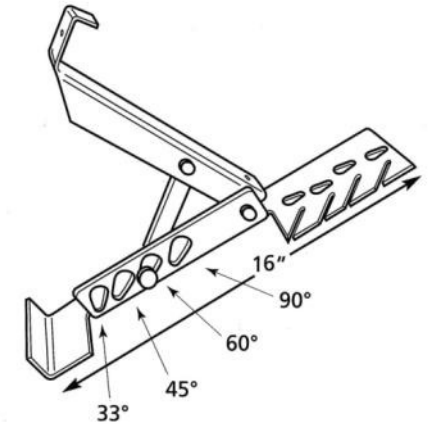
http://www.acrobuiltingsystems.com/fixeroof_brackets.asp



Adjustable Roof Brackets

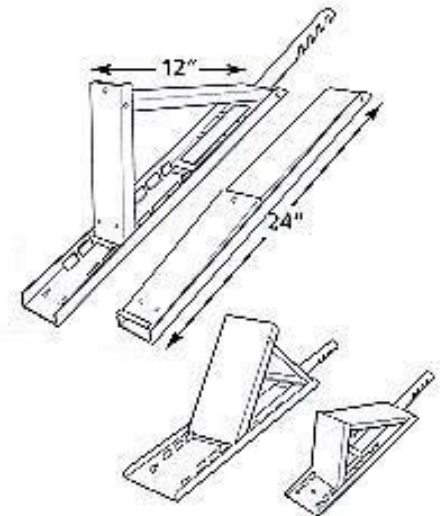
19038

- Designed for multiple pitch roofs especially barns and “A” frames
- Holds 2x8 and 2x10 planks.
- Raised hammer fin prevents damage to adjustment slots.



19600

- Slater's Bracket with replaceable galvanized tongue (which gets cut off and left with the building).
- Adjusts and locks in six positions
- Accommodates roof pitches 3/12 to 10/12
- Holds planks up to 2x12.
- This is a very well known bracket throughout the Slate and Tile markets.



http://www.acrobuildingsystems.com/adjroof_brackets.asp



Johnny Jack 19700

- Unique staging system invented by a contractor for use with interlocking shingles of all types.
- Spans 6 ½ feet with 5 ½ inch working clearance.
- No assembly required, out of the box, ready to use.
- Comes complete with 2 safety bolts.
- Ideal for interlocking materials especially metal shingles, slate, tile or asphalt while never covering the anchor screws
- Ideal for working around dormers

Purpose: Provides a walking surface on steep pitch roofs during installation of interlocking roofing materials such as metal shingles, tile, and other systems.

Function: A seven foot flat bar connects the walking plank bracket at the bottom with the nail slots at the top; features 5 ½ inch surface clearance.

Applications: Used to install interlocking shingles where standard roof brackets cannot be used.

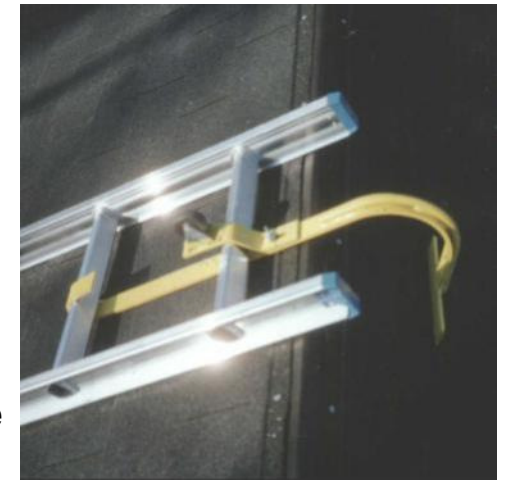


http://www.acrobuidingsystems.com/adjroof_brackets.asp



Reinforced Ladder Hook

- **Only need one (1) per ladder.**
- All competitors require two (2) per ladder!
 - Acro's is the most affordable.
- Reinforced rod around hook
- Swivel head for dormers / valleys
- Works with most ridge vents
- Caster makes it easy to roll on roof
- Fits D-rung and round rung ladders



Purpose: provides a safe climbing access to roof work areas.

Function: secures one section of ladder to roof peak using a roller with re-enforced hook that angles to match roof ridge line.

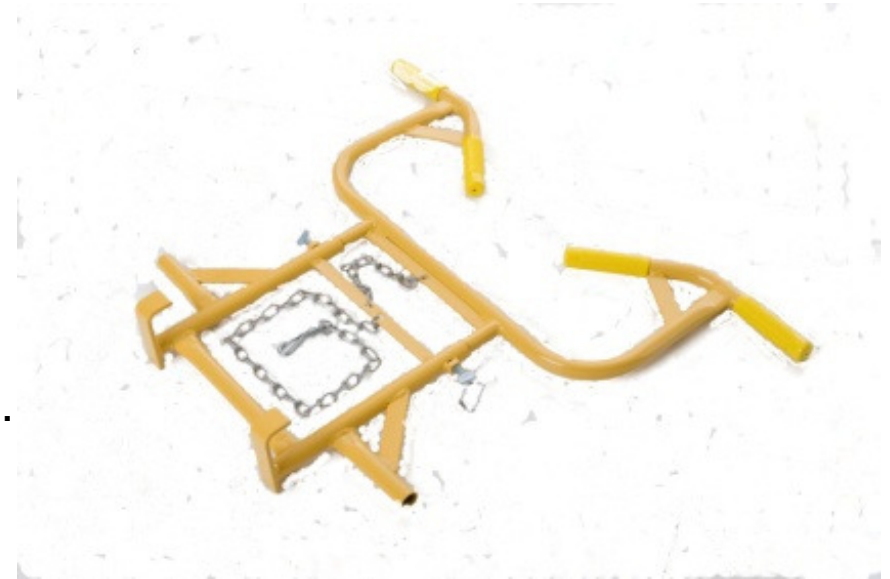
Applications: designed for repetitive tasks including the installation of chimneys, vents, antennas and shingles on steep pitch and "A" frame roofs.

<http://www.acrobuidingsystems.com/ladders.asp>



3-Way Ladder Stand-Off

- All steel construction
- Works in 3 Positions:
 - **On the Roof,**
 - **Under the Eave**
 - **Centered on Corners**
- No one else offers this easy on/off model.
- Rubber Bumpers to protect surfaces
- Adjusts to: In 22" Out 29" width 34



Purpose: keeps work areas open by preventing ladders from resting on walls or roofs.

Function: chain locks unit to ladder then holds ladder securely against walls, corners and roof lines. Easy on, easy off.

Applications: many times ladders must lean against corners of buildings for painting or trim work, keeps ladders off of gutters, and prevents ladders from leaning sideways during roofing operations.



<http://www.acrobbuildingsystems.com/ladders.asp>



Chicken Ladder

- Incremented, safety-bolted, 6' sections safer and more user friendly
- Raised steel rungs allow foot and hand grips (hand welded for safety)
- Frequently used on steel roofs,
- Padded model is available.
- Safety 10 in. Hook has 1/2 in. Reinforcement Rod
- Tube on end of hook to prevent slippage and damage to shingles
- Now UPS shippable

Purpose: provides safe access to roof tops with correct length ladders.

Function: steel ladder with raised rungs for safe foot and hand holds; 6-foot sections are connected to create desired ladder length; hook securely hooks over roof ridge.

Applications: used for installing shingles on "A" frame houses; metal roof installations; and repair work on chimneys, skylights, antennas and vents.



<http://www.acrobuidingsystems.com/ladders.asp>



Parapet Wall Guardrails12090

- Acro parapet bracket has widest span (4" to 24")
- Assembles Quickly from inside of parapet
- Installed by one person without ladders scaffolds
- Parapet bracket weighs only 19lbs. full assembled
- Post is included with the #12090 system.
- Post is always on inside of parapet wall to meet OSHA height regulations throughout its use
- Individual units can be moved without complete disassembly of units and guardrail posts
- Optional Stop Screw to adjust post height



Purpose: Provides fall protection on commercial flat roofs with parapet walls.

Function: Bracket and post guard rail system attaches securely to parapet wall for temporary applications to meet the OSHA 39" height requirement.

Applications: includes work performed by all contractors on the building roof

http://www.acrobuidingsystems.com/guardrail_systems.asp



Universal Guardrail 12060

- Unique 3 piece system w/ detachable base
- Base welded, bolted or nailed to virtually any surface
- Flat roofs, metal roofs, parapets, skylights, stairwells,
- The Connector features a key lock button
- System comes complete with all 3 parts
- Individual components available

Purpose: Provide a universal guard rail fall protection system.

Function: Universal attaching plate supports guard rail post with slots to hold 2" x 4" cross rails.

Applications: Universal attaching plate is adaptable for most applications including steel roofs, stairwells, skylight openings and exposed walls between concrete pillars.



http://www.acrobuidingsystems.com/guardrail_systems.asp



Residential Guardrail

[See Residential Guardrail Presentation 12070 / 12075](#)



Purpose: Provides fall protection on residential steep-pitch roofs.

Function: Bracket and post guard rail system attaches securely to steep pitch roofs during new construction and on repairs. Meets the OSHA 39" height requirement for complete fall protection without harnesses.

Applications: includes work performed by all contractors on the building roof. Repairs, re-shingles, new construction, framing and shingle installation.



Warning Line 21000

- Economical Warning Line System
- Lightweight & Collapsible (Quick set up / take down)
- 4 Post & Bases and 130' of Flags
- Reusable and easy to store
- Complies with OSHA regulations
- Works for ground applications as well
- OSHA Regulations: 16lbs of force to tip over & 34"-39" height

Purpose: Provides economical perimeter warning line.

Function: "X" base opens, post then inserts to base, flag line is wrapped on top of the post at the hitch connects.

Applications: perimeter lines are used on building tops, around excavations and to establish traffic lanes on job sites.

http://www.acrobuiltingsystems.com/guardrail_systems.asp



Wall Scaffold

- Provides secure walk-way around perimeter of buildings.
- Complies with OSHA Fall Protection
- Optional Over the Plate Hanger
- Creates safety perimeters on new construction
- Install on all 4 sides or w/ End Fence Guardrail
- More Affordable than Aluminum systems

Purpose: Provides walking security while setting trusses and other edge of roof applications

Function: Brackets w post guard rail system attach securely to walls at any elevation.

Applications: Truss installations. Roof edge finish work.

http://www.acrobbuildingsystems.com/scaffold_systems.asp

