

ACRO BUILDING SYSTEMS



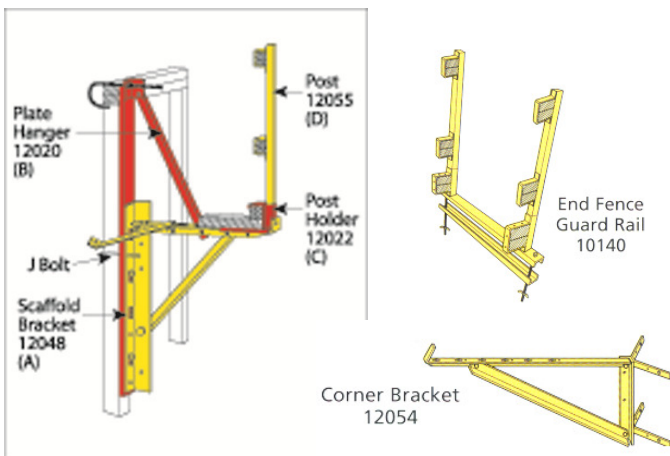
36" & 48" WALL SCAFFOLDING

WALL SCAFFOLD #12048 & PLATE HANGER #12020

- Complies with OSHA regulations
- Optional Over the Plate Hanger
- Creates safety perimeters on new construction
- Installs on all 4 sides or use End Fence Guardrail
- 42" Guardrail Posts
- Ideal for truss installation
- Maximum spacing 8' apart
- Powder coated safety yellow
- Made in America



The easy-to-use 12048 scaffold brackets offer convenience for residential or commercial roofing projects. They are installed over wall sheathing just below the eave height on one or all four sides of a structure to create a safe, convenient walkway for erection of roof trusses, plywood, shingle, fascia, gutters, and under-eave covering. They include a 3/16" sway brace for right or left hand use and a 5/8" safety bolt and clip. The #12020 Plate Hanger may be used to hook the scaffold bracket over the plate in lieu of using the safety bolt and clip. Install Scaffold Bracket not more than 8 feet apart on a sound stud. Drive nail into stud at bottom of each bracket. Install Safety "J" Bolt and Clip on each Scaffold Bracket. Drill a 5/8" hole on side of stud in line with hole in vertical Bracket member. Insert Safety Bolt through 5/8" hole from inside of building and place "J" Bolt hook around stud. Put Clip on the other end, which laps over vertical member. Securely fasten nut to pull vertical member tightly against outside wall. Please visit our website for full install instructions



Wall Scaffolding				
Model #	Description	Lbs.	Open Dem	Folded Dem
12048	48" Scaffold Bracket	20	48x48x4	56x4x4
12020	Over Plate Hanger	10	63x24x4	63x4x2
12056	Guardrail Post & Holder	10	42x9x4	
12022	Replacement Post Holder	4	9x9x4	
12055	Replacement Post	6	42x4x1	
12054	54" 2x8 Corner Bracket	26	54x54x14	76x14x12
10140	End Fence Guardrail	10	42x28x5	42x12x5

PHONE (TOLL FREE): 800-267-3807
FAX: 414-445-8792

WEB: WWW.ACROBUILDINGSYSTEMS.COM
EMAIL: INFO@ACROBUILDINGSYSTEMS.COM