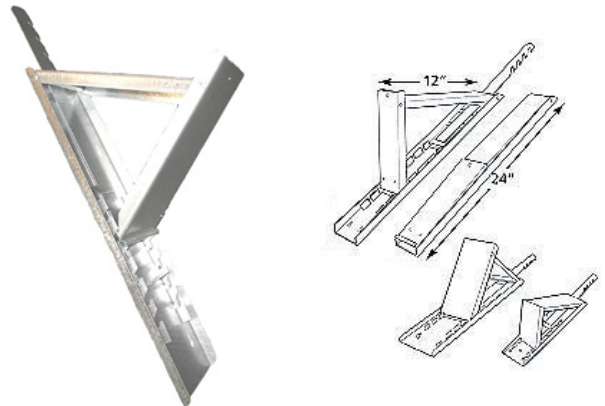


19600 ADJUSTABLE ROOF BRACKET

ADJUSTABLE GALVANIZED ROOF BRACKET **SLATER'S BRACKET #19600**

- Heavy-duty roof bracket adjusts and locks in six positions
- Accommodates roof pitches from 3/12 to 10/12
- Galvanized steel construction for extra strength, safety and durability
- Easy to set up, operate, reposition and remove without damage
- Locking pin assures safety
- 2 positions for the nailing tongue allows for flexibility
- Folds flat for compact storage
- Capacity = one worker plus 40lbs. every 4 feet
- Complies with OSHA regulations
- Made in America

This heavy duty roof bracket adjusts and locks in six positions and accommodates roof pitches from 3/12 to 10/12. Made of galvanized steel for extra strength, safety and durability, it is easy to set up, operate, reposition and remove without damaging shingles. It also folds flat for compact storage and transport. Capacity is one worker plus forty (40) LBS of material every four feet. Complies with OSHA regulations. Designed special for slate roofs.



Please visit our website for full install instructions

Adjustable Roof Bracket			
Model #	Description	Lbs.	Dimensions
19600	Adjustable Galvanized Roof Bracket (Slater's Bracket)	7	24"x5"x1"
19611	Replacement Galvanized Tongue for 19600	1	24"x2"x1/4"

PHONE (TOLL FREE): 800-267-3807
FAX: 414-445-8792

WEB: WWW.ACROBUILDINGSYSTEMS.COM
EMAIL: INFO@ACROBUILDINGSYSTEMS.COM